



18. ELECTRIC SCHEMES

The following pages present electric component schemes and layouts.

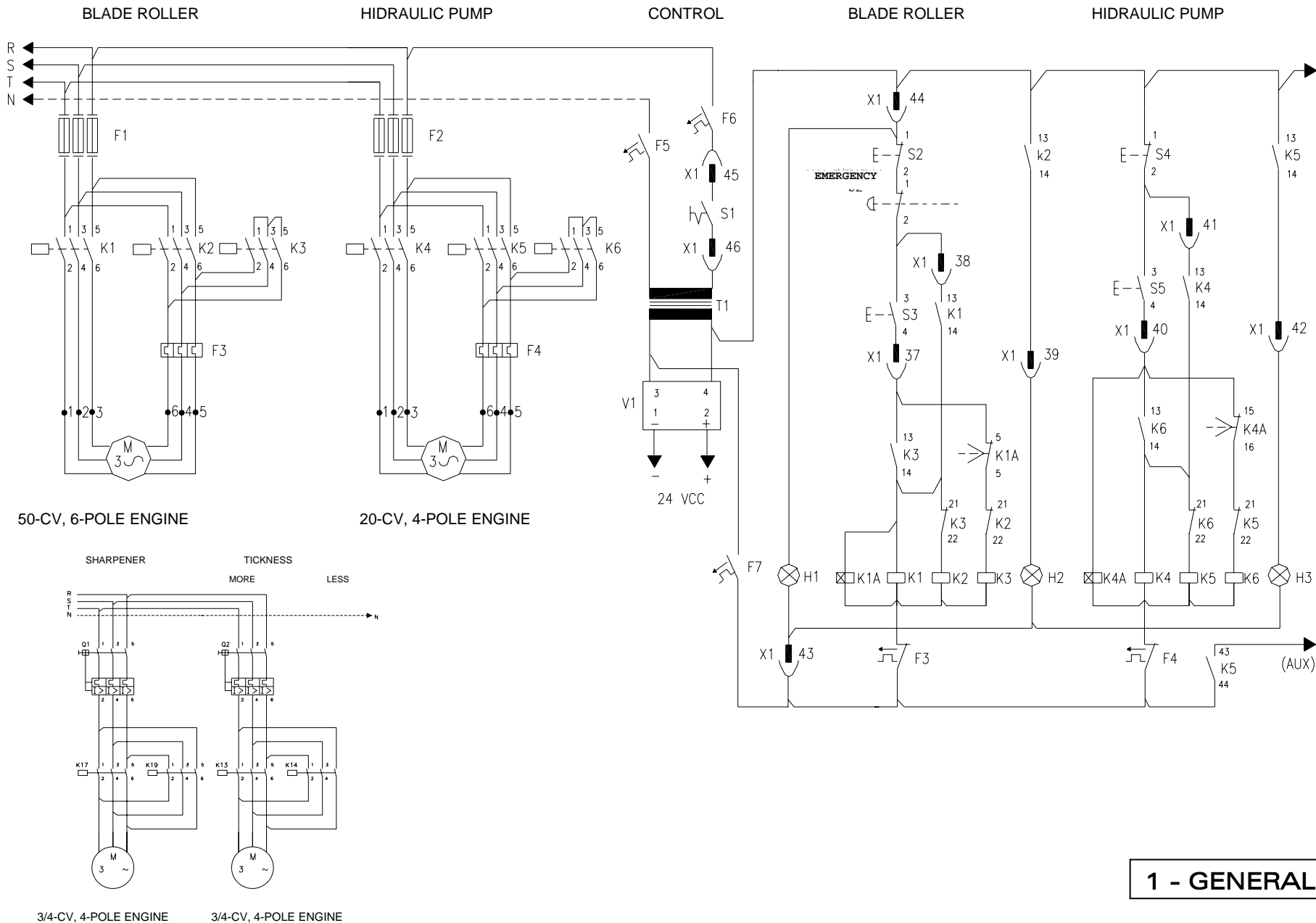


**Remember to turn off the power supply before starting any maintenance procedure.
All electric components have been designed according to technical standards so as to ensure optimal performance and durability.**

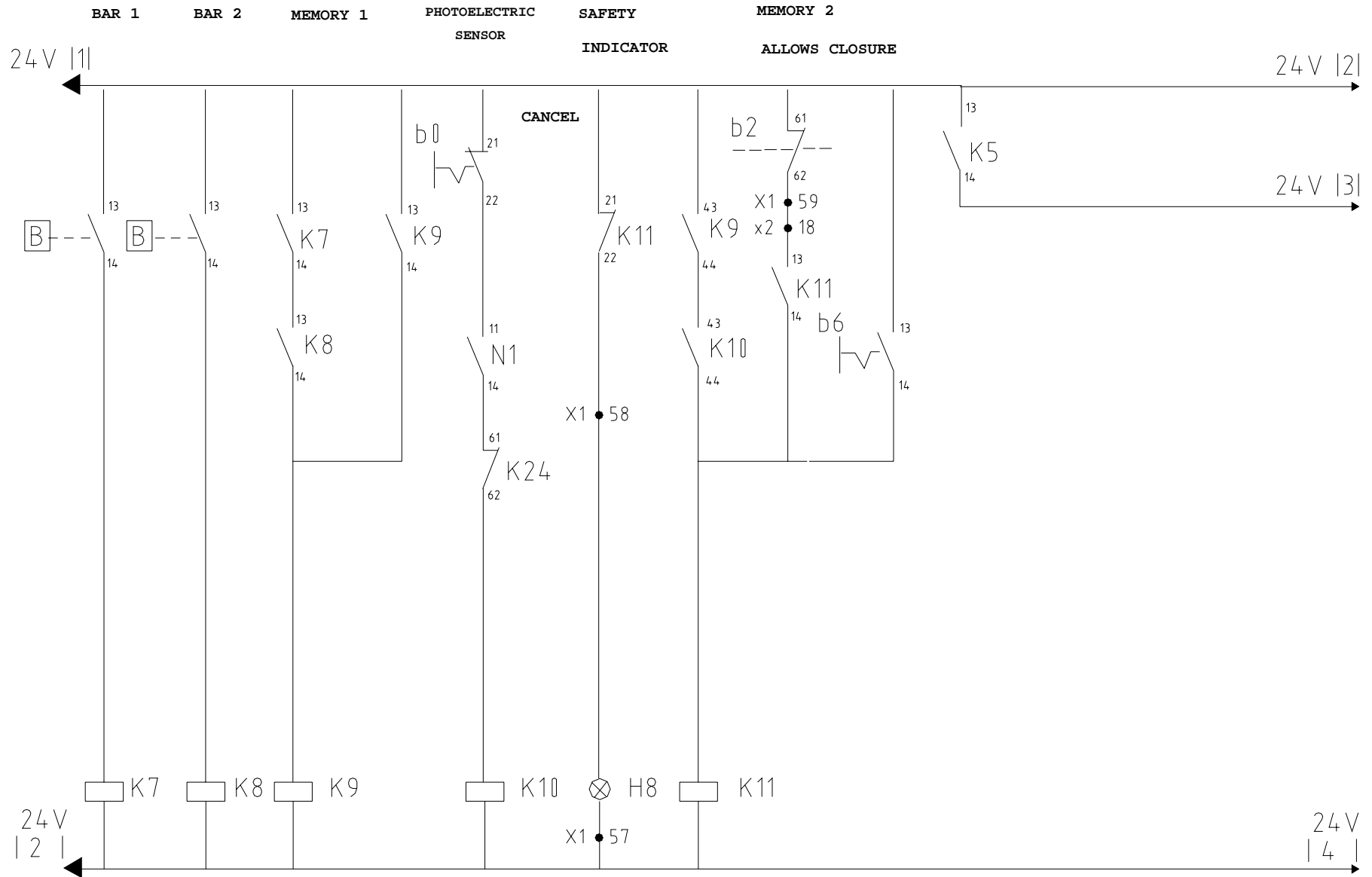
Observe the specifications of original components to replace them. Using components with different specifications may compromise the functioning and working life of the equipment, as well as the safety of your operators and the warranty validity!

ELECTRIC SCHEMES

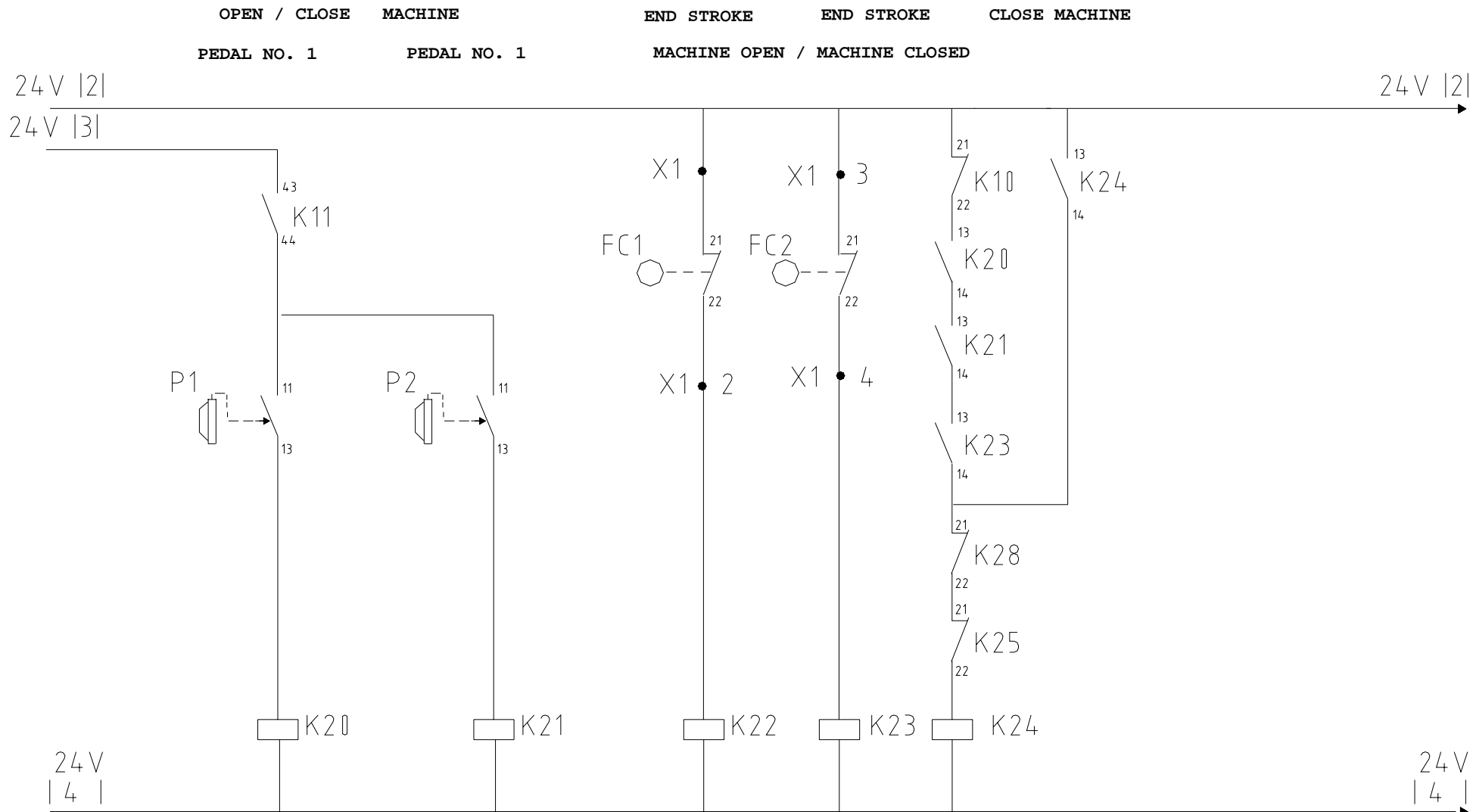
1. **General**
2. **Safety**
3. **Open/Close**
4. **Transport Drive**
5. **Table Recoil**
6. **Directional Valve**
7. **Sharpener Engine**
8. **Thickness Control Engine**
9. **Layout**
10. **Terminals**



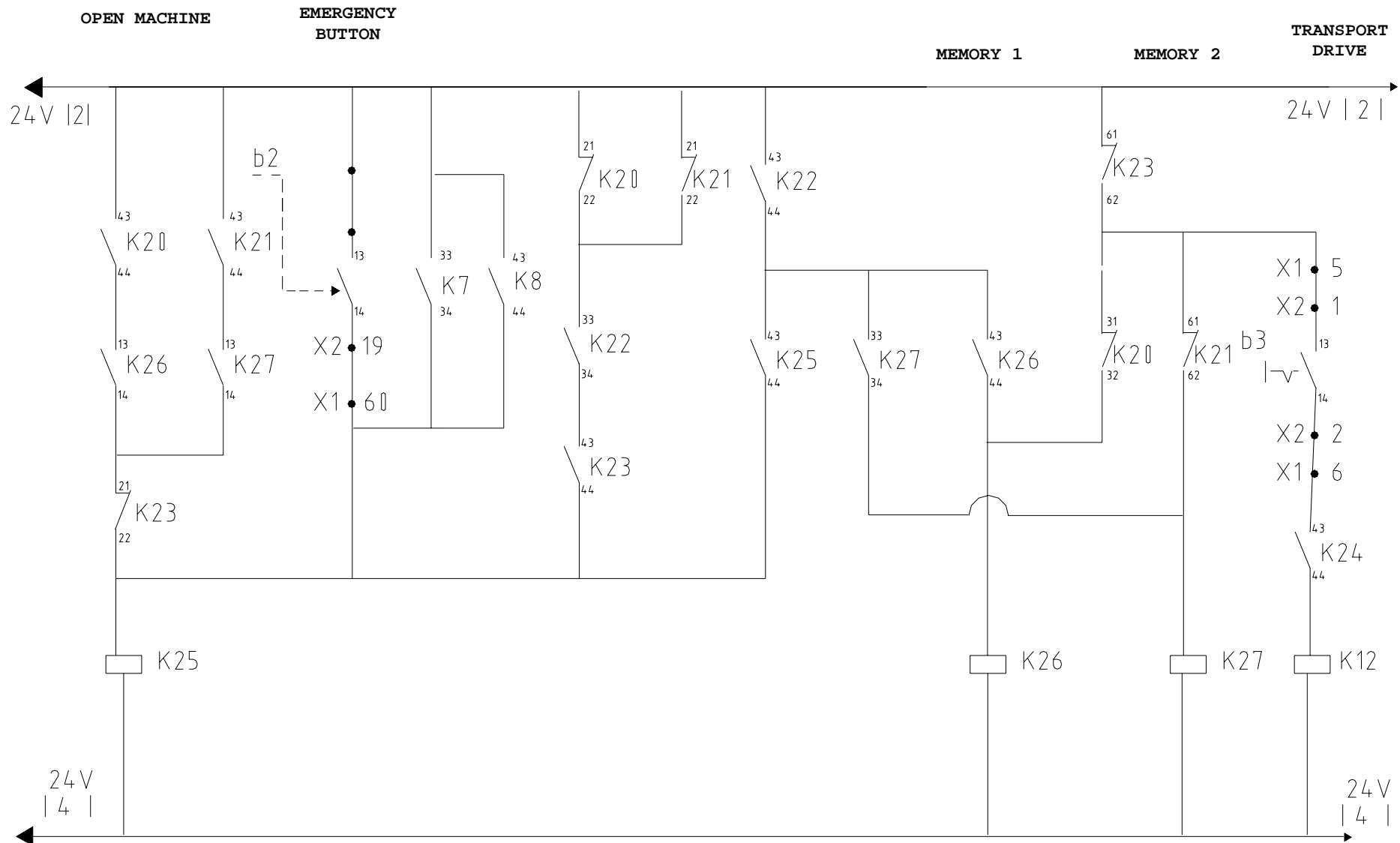
1 - GENERAL



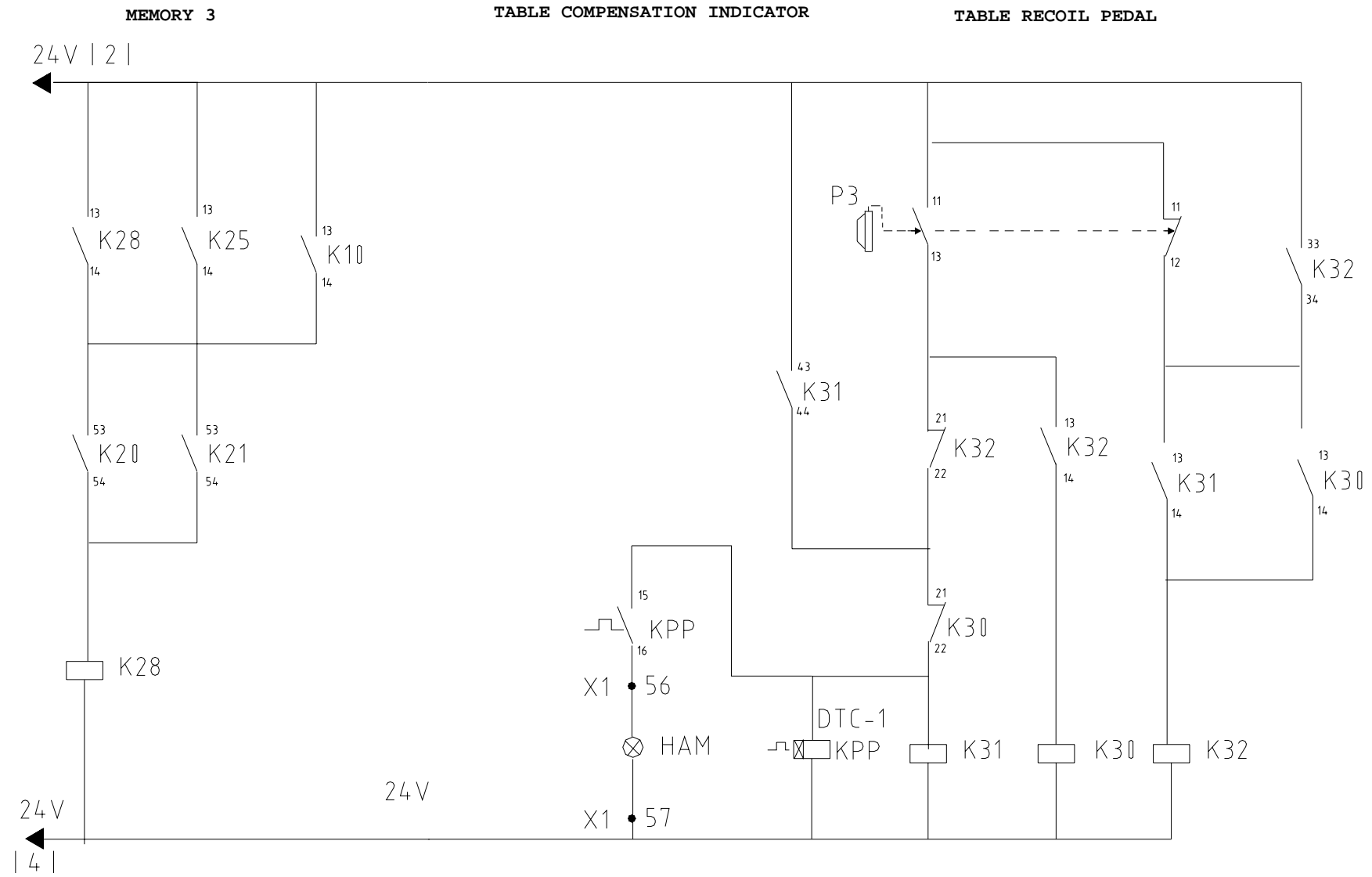
2 - SAFETY



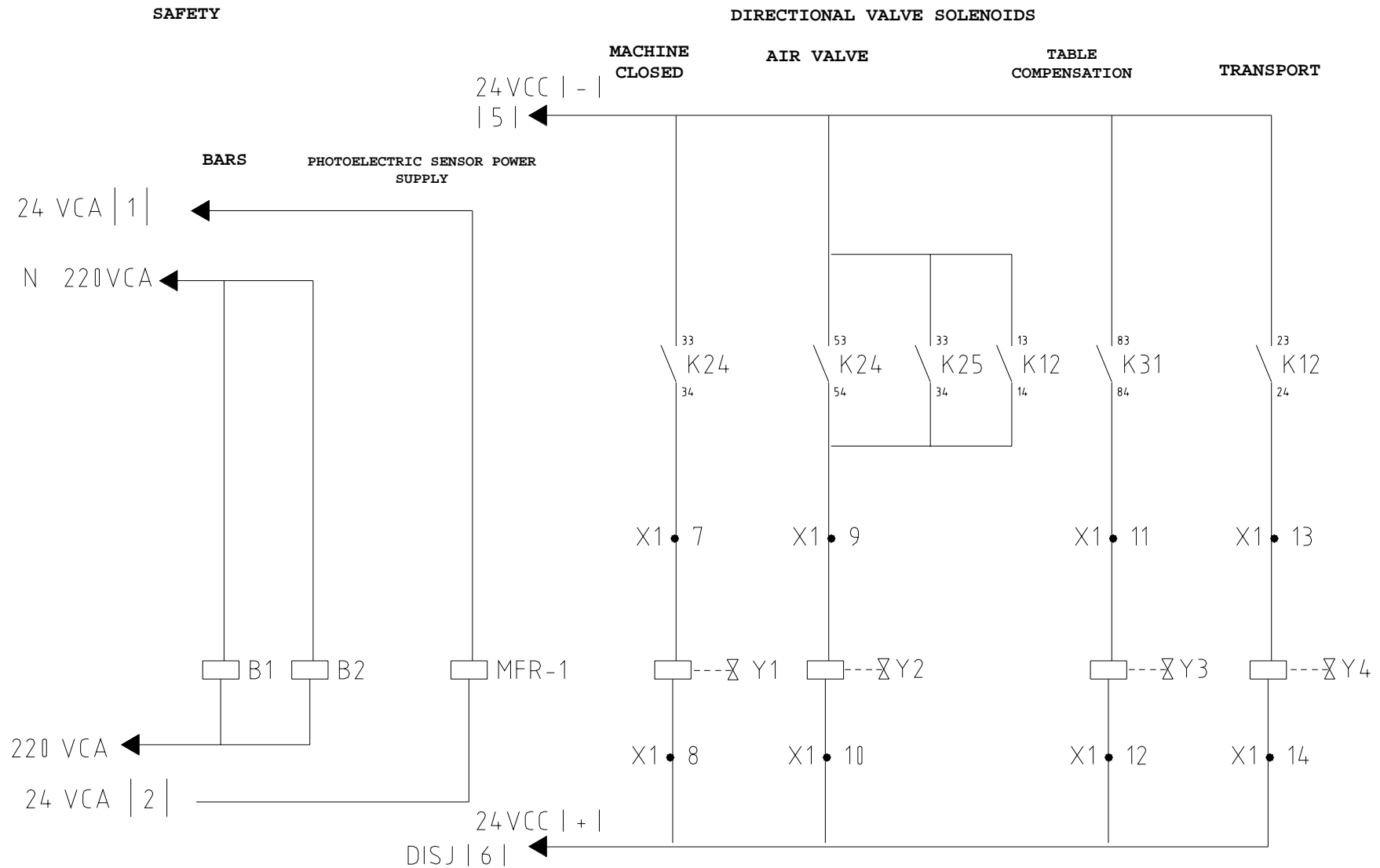
3 - OPEN/CLOSE



4 - TRANSPORT DRIVE

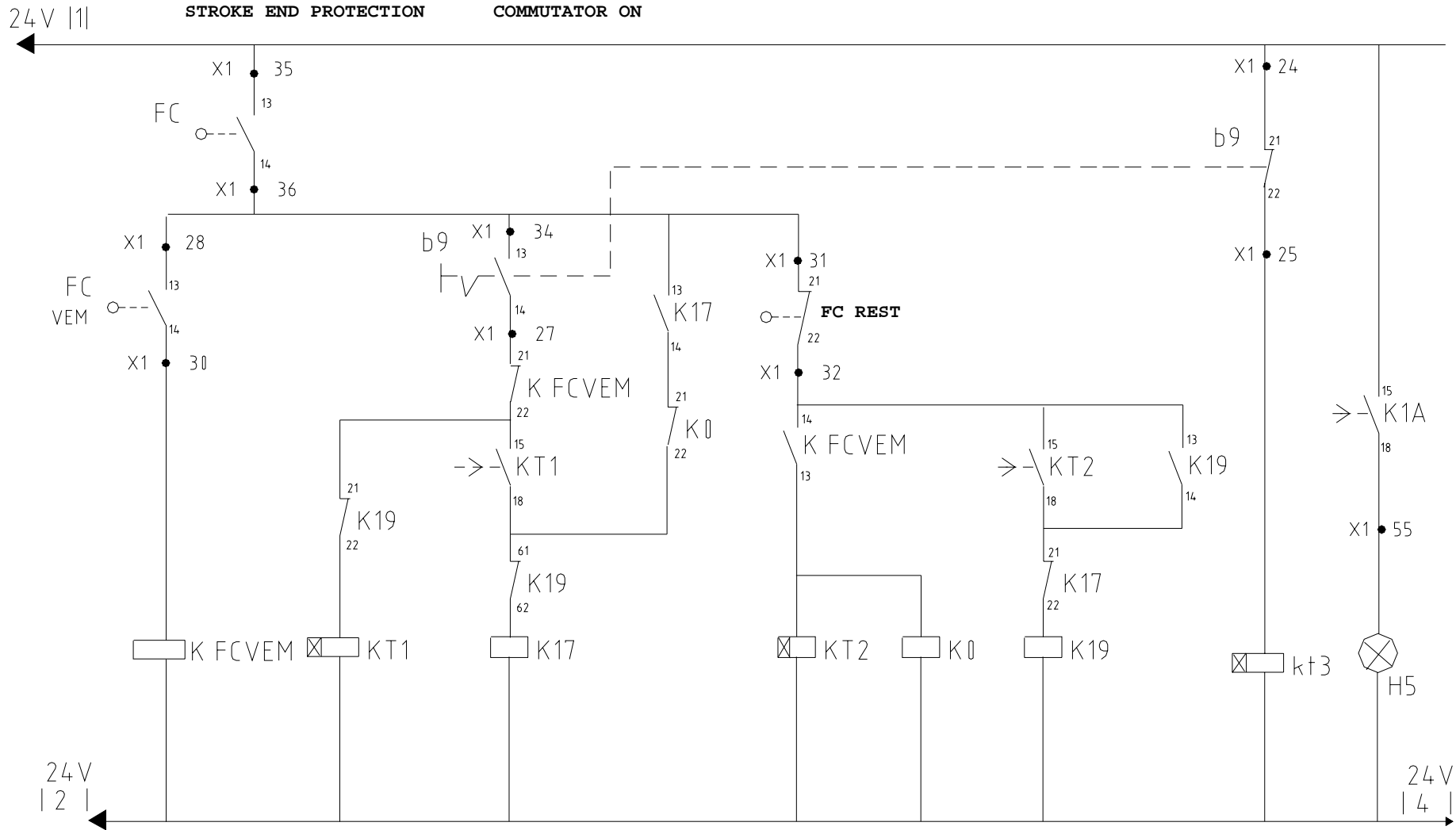


5 - TABLE RECOIL

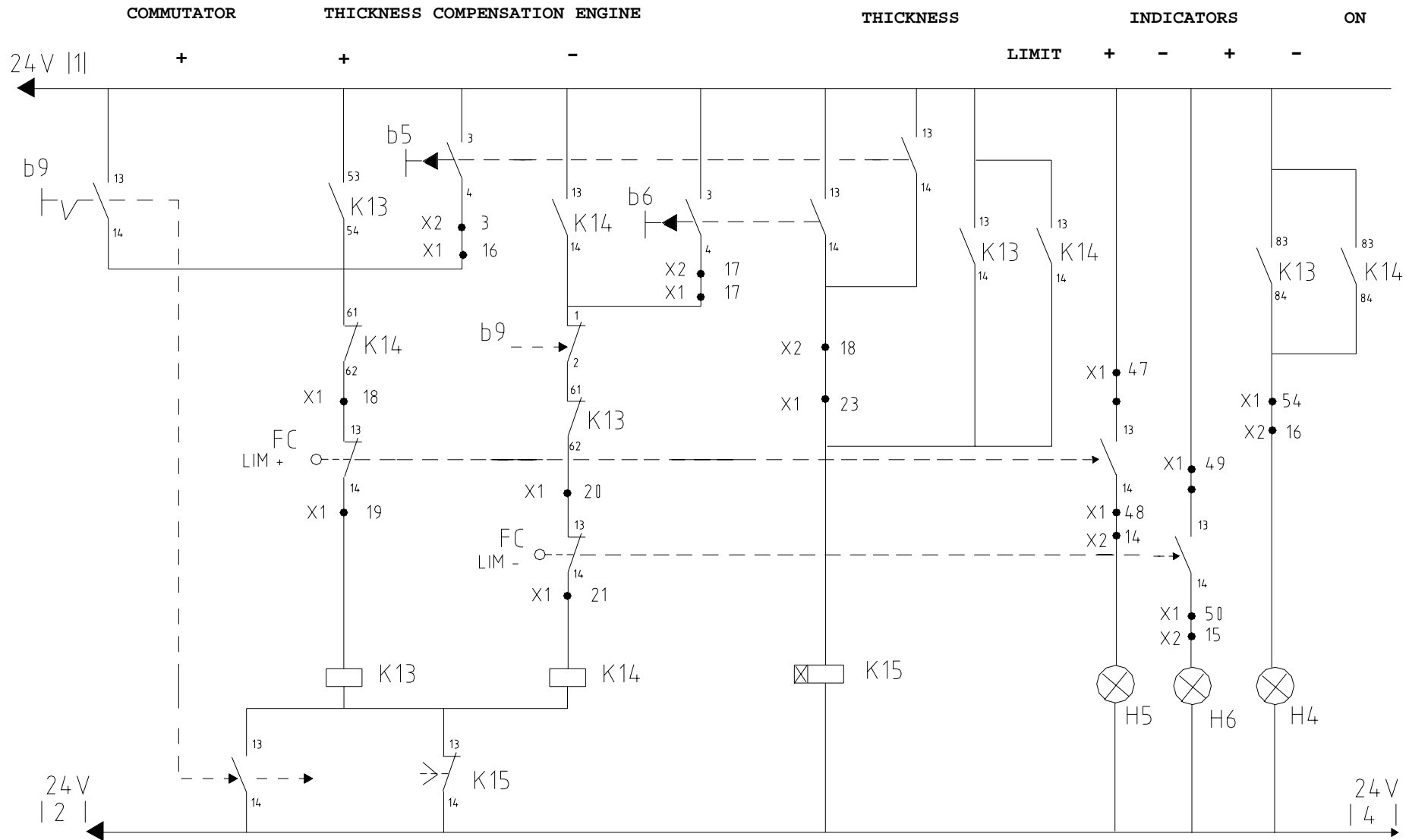


6 - DIRECTIONAL VALVES

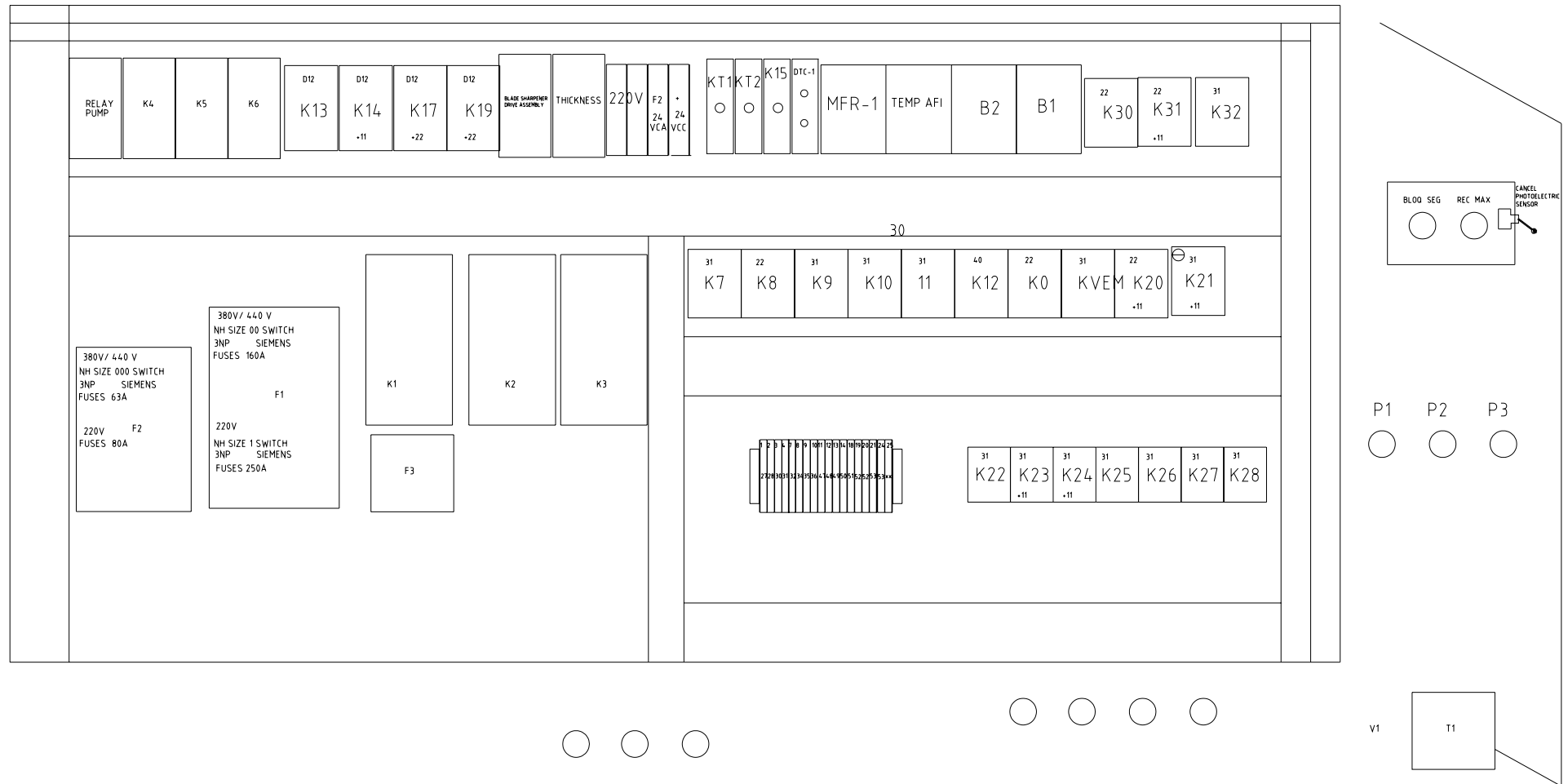
SHARPENER ENGINE
BLADE SHARPENER DRIVE ASSEMBLY



7 - SHARPENER ENGINE

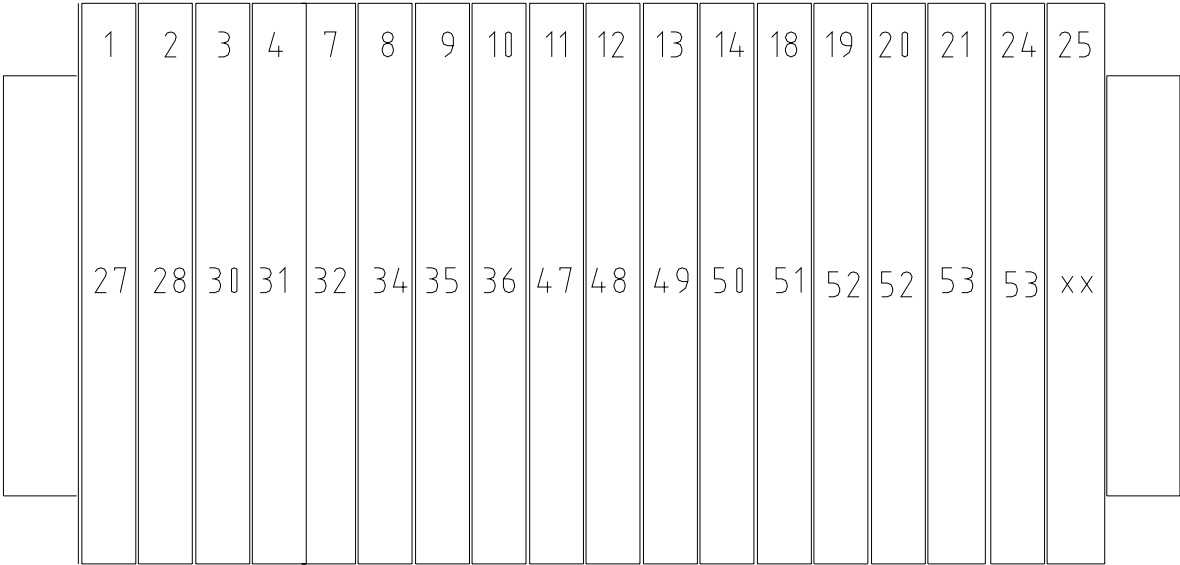


8 - THICKNESS CONTROL ENGINE



9 - LAYOUT

TERMINALS (18) DK - 4

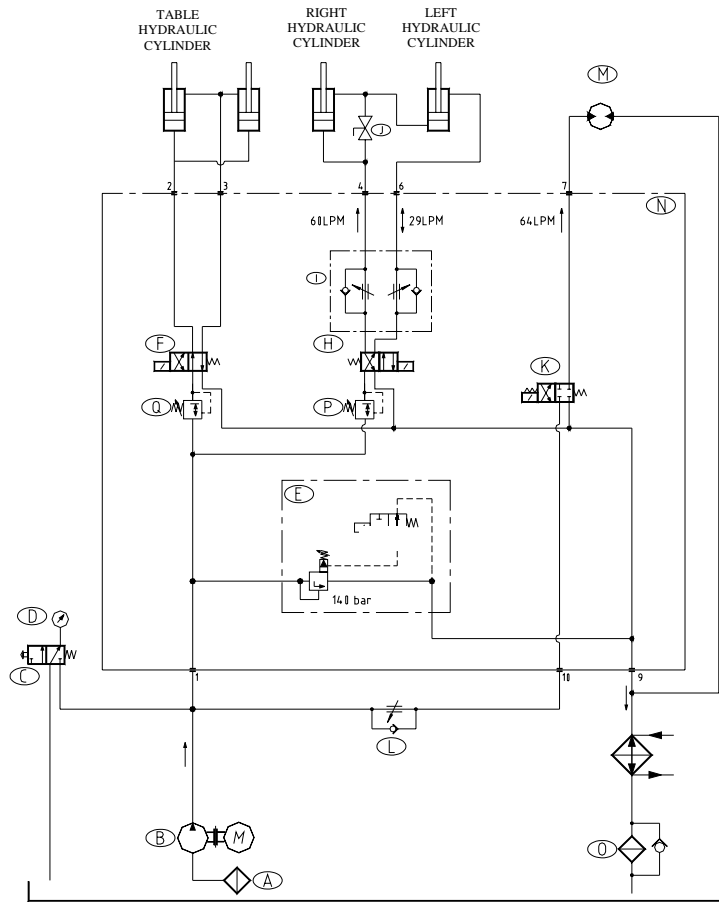


10 - TERMINALS

19. HYDRAULIC SCHEME



All hydraulic components have been designed according to technical standards so as to ensure optimal performance and durability. Observe the specifications of original components to replace them. Using components with different specifications may compromise the functioning and working life of the equipment, as well as the safety of your operators and the warranty validity!



P.S.: The "J" valve should be opened with the machine closed, in order to align the machine closing system.

OUTLETS	THREAD
2,3	NPT 1/2"
4 e 9	NPT 1"
1,6,7,10	NPT 3/4"

ITEM	PRESSURE
Q	45 bar
P	75 bar
E	135 bar

ITEM	DESCRIPTION	P/N	QUANT.
A	Suction filter	FTS-160	1
B	Gear pump	PVV2-1X/45RA15DMB	1
C	Insulating valve	IM1	1
D	Glycerin manometer	0-140 bar	1
E	Pressure reducing valve	DBW10B25X/3156EG24N9K4	1
F	Directional valve	4WE6D60/EG24N9K4	1
G	Electric engine	20CV IV POLOS	1
H	Directional valve	4WE10Y32/CG24N9K4	1
I	Flow regulating valve	Z2 FS 10	1
J	Ball valve for high pressure	Ø 1/2"	1
K	Directional valve	4WE10 EA 32/CG24N9Z4	1
L	Flow regulating valve	DRV 16	1
M	Hydraulic engine	CHAR-LYNN M1040A01A00000	1
N	Manifold block	30-01-1095	1
O	Return filter	FR 24-010-FV	1
P	Pressure reducing valve	ZDRK 10 VP5 - 11/100YMV	1
Q	Pressure reducing valve	ZDRK 6 VP5 11/50YMV	1

20. TECHNICAL SUPPORT

If you need to contact our Technical Support Department, provide the information contained on the equipment identification plate (model and serial number and manufacturing date).

Contact information:

Phone: +55-51- 568-1900

bremmpeck@bremmpeck.com.br

www.bremmpeck.com.br

BREMM PECK Máquinas Industriais Ltda.

**Av. Mauá, 2479
São Leopoldo - RS - Brasil**

**Bairro Santos Dumont
CEP 93.110-320**

